

RJ45 Connector, magnetics

SRJ110001THU003M

Description

The SRJ110001THU003M is a RJ45 connector with 10/100 Base-TX and integrated magnetics.

The connector is designed to support application such as SOHO (ADSL modems), LAN-on-Motherboards(LOM), Hubs and Switches.



Typical applications

- Ethernet
- Network Switch
- Network Hub
- Modems



Features

Mechanical Properties

Description

Speed	10/100 Base-T
Number of ports	Single
Latch	Up
Pin type	THT
Application-Lan	Ethernet (NoN PoE)
Led	Include, 2 pcs
Color	Orange/Green, Yellow
Housing material	Thermoplastic UL94V-0
Contact/Shield material	Copper Alloy
Shield Plating material	Nickel
Contact Plating material	Gold 6 Micro-Inches Min.
Operating Temperature	0°C~+70°C
Wave Peak Soldering	+260°C Max. 5 sec Max.
Dimensions	24.04x 16.85 x 11.3 mm ± 0.1

RJ45 Connector, magnetics

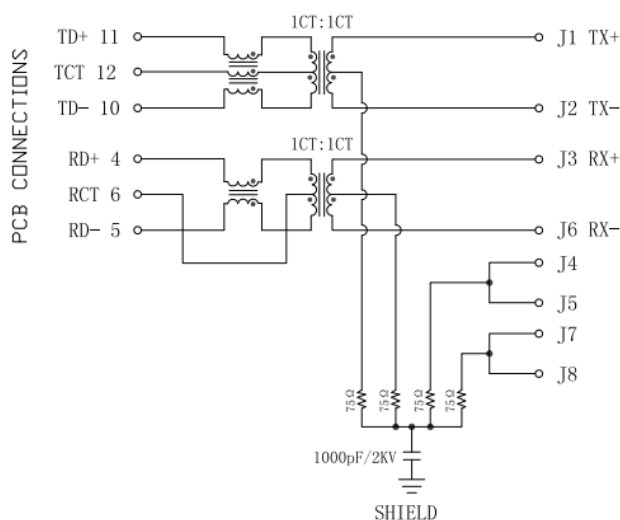
SRJ110001THU003M

Electrical Properties

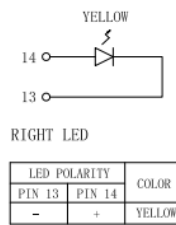
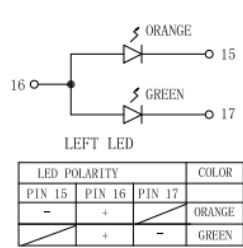
Description

Turn Ratio ($\pm 3\%$)	1CT : 1CT
Inductance OCL	350uH Min. 8mA DC Bias
Insertion Loss	-1.0dB Max. @1-100MHz
Return Loss	-18dB Min. @1-10MHz -18dB Min. @30MHz -12dB Min. @60-80MHz -10dB Min. @80-100MHz
Cross Talk	-40dB Min. @1-10MHz -35dB Min. @32-65MHz -30dB Min. @65-100MHz
Common Mode Rejection	-30dB Min. @1-125MHz
Hipot Test	1500Vrms

Electrical



RJ45 CONNECTOR



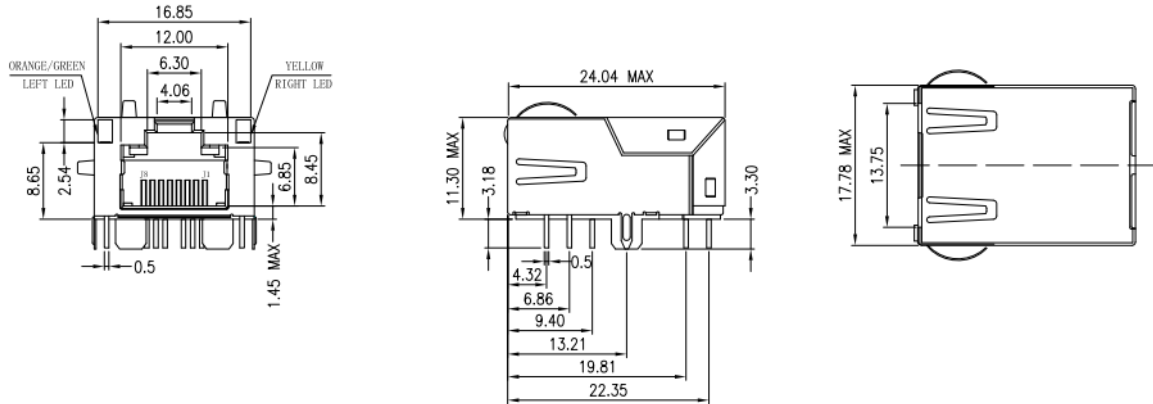
Emitting Color	λ p(nm)	VF@IF=20mA	IR @VR=5V
ORANGE/GREEN	610/565	1.8~2.6V	10 μ A max
YELLOW	585	1.8~2.6V	10 μ A max

RJ45 Connector, magnetics

SRJ110001THU003M

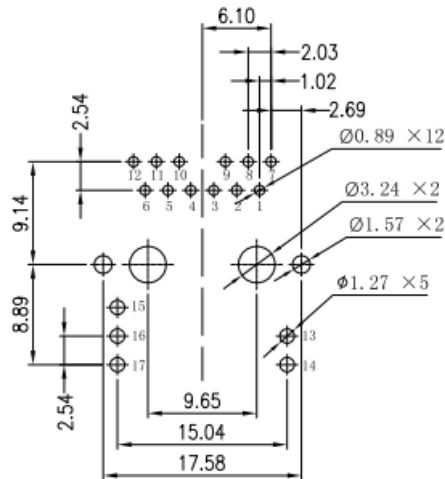
Dimensions

*unit: mm



PCB Footprint

*unit: mm



SUGGESTED PCB LAYOUT(TOP VIEW)

Ordering information

Ordering can be done via www.summit-electronics.com or via info@summit-electronics.com. Please contact us for more information. Customisation of the product is available on request.

Technical support

For all product questions please contact us via info@summit-electronics.com

Document revision

Rev	Date	changes
V01.00	27-06-2023	First issue of document, EK